

Thank you for purchasing a National Cycle product. Read these instructions carefully and thoroughly before beginning work. Dealers, if installing this windshield for a customer, please give them this manual upon completion. It contains information needed to properly maintain and use this product.

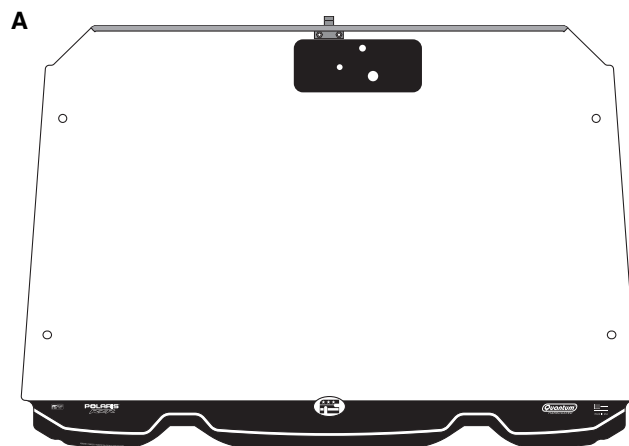
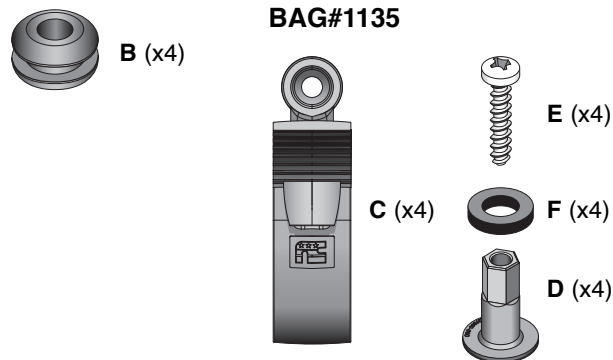
Description:	Quantum® Hardcoated Polycarbonate; 3D UTV Windshield; Full Size	Model:	Polaris® RZR 900/1000 XP
Part Number:	N30216	Installation Time:	30 min.

N30216 PARTS LIST

ITEM	PART NO.	DESCRIPTION	QUANTITY
A	20-290464-000	Full Size Windscreen	1
B	44-447165-000	Grommets for Mount Holes (pre-installed)	4
Bag#1135			
C	44-449370-000	Clamp, Wraparound	4
D	44-449380-000	Retaining Pin	4
E	55-563131-000	Machine Screw, Phillips, #12 x 1.25	4
F	49-490355-000	Washer, Flat, Black	4

TOOLS REQUIRED FOR ASSEMBLY

#2 or #3 Phillips Screwdriver



Grommets, Gasket and Top Bracket are pre-installed on Windshield.



ATTENTION: Special notes and cautionary measures which can prevent damage to the accessory or vehicle.



NOTE: Tips for facilitation of operation, control and adjustment, as well as maintenance work.

PREPARATION

Carefully unpack your new windshield, sort the parts, and make sure you have everything required to complete the assembly.



Figure 1

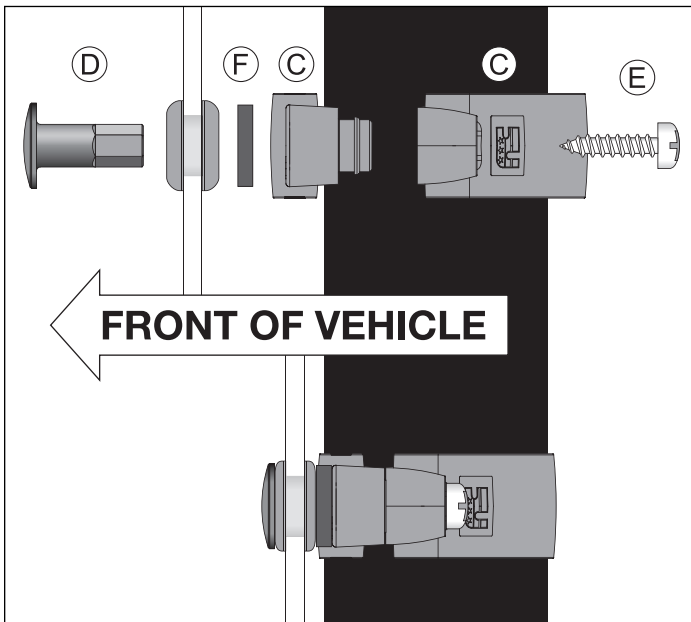


Illustration B



Figure 2

WINDSHIELD INSTALLATION


 Place all fasteners within reach of windshield installation procedure.

Figure 1

Place Windshield on vehicle hood and against the front frame of the vehicle. Then install and align the Wraparound Clamps (C). Orient the clamps so that the male half (with embossed part number) is toward the front of the vehicle.

Illustration A

Slide the Windshield up to engage the visor or roof, with the top gasket outside and the Windshield's top metal bracket inside the visor or roof. The gasket should fully engage the visor/roof surface.

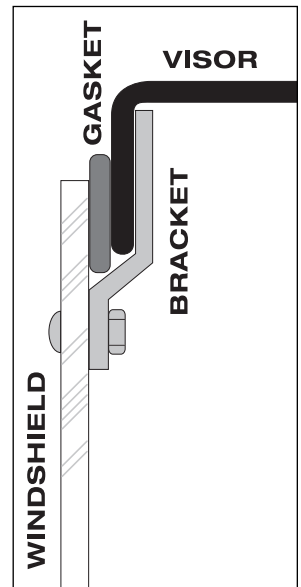



Illustration A

Illustration B

Loosely install the following parts to the Windshield and the four Wraparound Clamps as shown in illustration B.

(Phillips Screwdriver)

- Retainer Pins (D)
- Flat Black Washers (F)
- Machine Screws (E)

 Note the hex shape of the Retainer Pins and male Clamp halves.

CHECK ALIGNMENT AND FINAL TIGHTENING

Figure 2

Check the alignment and position of the Windshield and make sure it is even and symmetrical. Snug up the bottom seal against the hood.

Securely tighten the Machine Screws in the four Wraparound Clamps. *(Phillips Screwdriver)*

Your new Quantum® Hardcoated Polycarbonate Windshield is now fully assembled.

Test ride for function and performance, and enjoy your new National Cycle UTV Windshield!

WASH'N'WIPE™



Mounting Brackets Vary by Model

WASH'N'WIPE™ WIPER KITS

This windshield is pre-drilled and prepped for the installation of National Cycle's optional Wash'n'Wipe Wiper Kit.
Part No. N30216-WK



Ask for Shield Wash™ and RainZip® at your local dealer or visit www.nationalcycle.com.

CLEANING AND MAINTENANCE

To clean your windshield, wash with a clean soft cloth and plenty of warm water and, if necessary, a non-abrasive soap such as dishwashing liquid. Flannel or soft chambrais make good cleaning cloths. **Paint, glue residue or grease removal:** Moisten cotton wad with naphtha or turpentine followed by a wash as above.

National Cycle **Shield Wash™** (N1401-01) makes a good daily cleaner and comes with a handy travel-size bottle. Shield Wash is safe for all windshields and helmet visors.

Do not clean polycarbonate in hot sun or high temperatures. Do not clean the screen with household glass cleaners.

Do not allow brake fluid, alcohol, or strong solvents to contact the windshield.

RAIN REPELLENT

Do not use rain protective products made for glass. We recommend National Cycle's **RainZip®** (N1410-01) to keep your windshield clear in rainy weather.



National Cycle 3-Year Limited Warranty

Register Your Windshield Online at www.nationalcycle.com

National Cycle hereby warrants to the original registered owner of a National Cycle polycarbonate windshield for a period of three years from the date of purchase against breakage. This limited warranty is expressly limited to the replacement of the polycarbonate windscreen. This limited warranty does not include scratches, coating failure, cosmetic wear and tear, replacement of hardware, or any consequential damages or expenses including labor cost of installation, removal and/or replacement, inconvenience, inbound freight expenses or damage to any other component of the vehicle or any other accessories. Certain chemicals, generally known as acidic hydrocarbons, are known to cause polycarbonate damage and will not be covered under this limited warranty. Please refer to the cleaning instructions supplied with all National Cycle windshields. Visit www.nationalcycle.com for further details or call or write National Cycle Inc.

⚠ WARNING

Never operate your vehicle with loose accessory mounting hardware. Check the hardware for tightness regularly.

UTVs are built with enough frame rigidity to withstand the moderate loads imposed on them by the foreseeable addition of an accessory(ies). If an accessory(ies) adversely affects your vehicle's stability, immediately remove the accessory(ies). Do not operate a vehicle that exhibits unsafe handling traits.

Have experienced service personnel correct any problem before driving with the accessory(ies) installed. For further questions concerning handling problems associated with an accessory(ies), contact your dealer, UTV manufacturer, or accessory manufacturer.

Caution: Do not clean polycarbonate in hot sun or high temperatures. Do not clean the screen with glass cleaners. Certain chemicals, generally known as acidic hydrocarbons, are known to cause polycarbonate damage. Do not allow brake fluid, alcohol, or strong solvents to contact the screen.

Caution: Do not use rain protective products made for glass. We recommend National Cycle's rainZip® (N1410-01) to help shed water in rainy weather.

Caution: Always face windshield forward (in direction of travel) while carrying on truck or trailer.